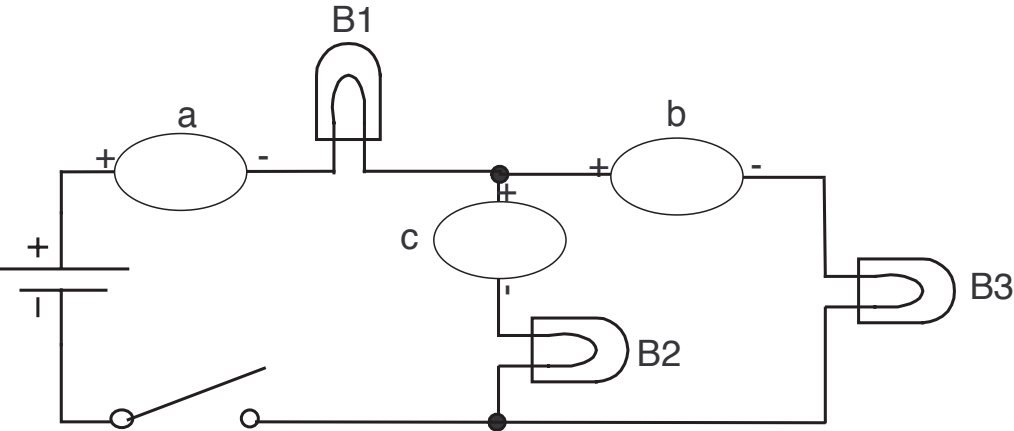
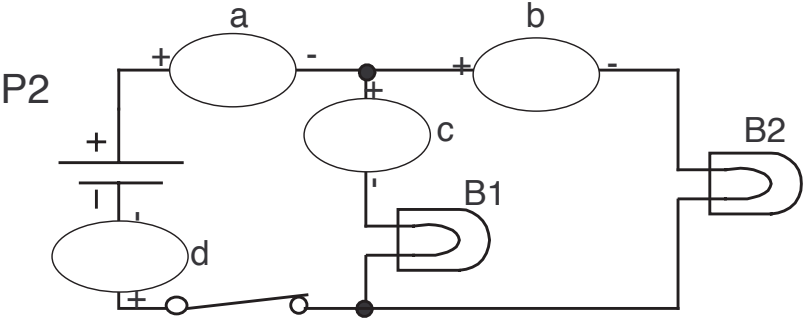
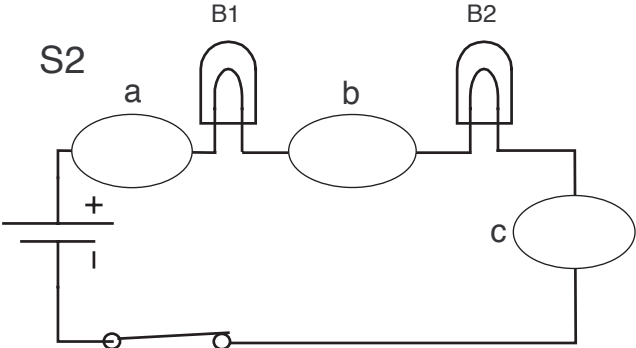
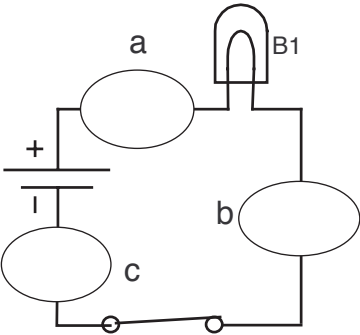
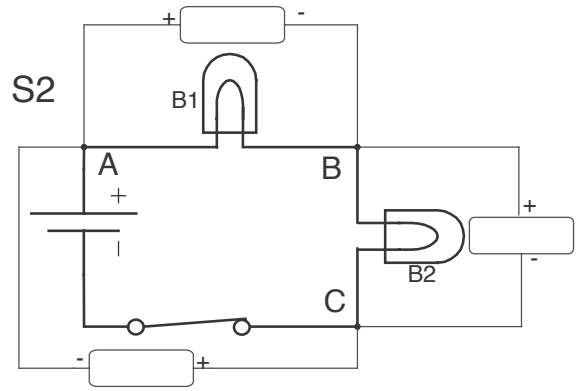
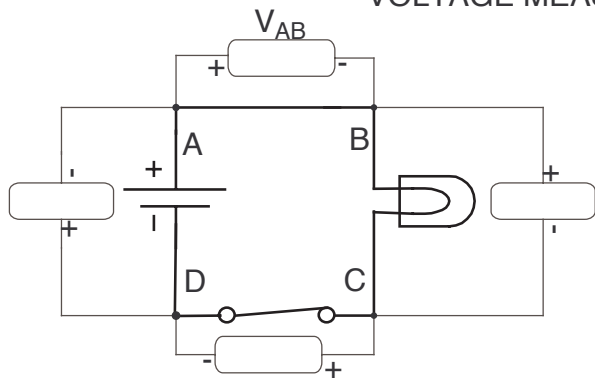


CURRENT MEASUREMENTS



VOLTAGE MEASUREMENTS



P2

